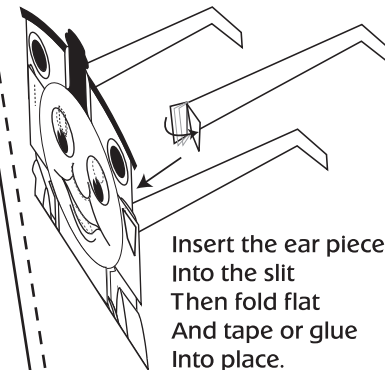




Let's make a Thomas mask for the Train Walk!

- First, colour Thomas in.
- Next, ask a grown-up to help you to
- Cut out and assemble the mask.
- Cut out Thomas and the ear pieces.
- Cut the eye and mouth holes
- Cut slits on the mask for both the nose and the ear inserts.
- Now the ear piece may be inserted into the mask as below.



Insert the ear piece into the slit
Then fold flat
And tape or glue into place.

The mask is now ready for play!

